

包装规格/PACKAGING SPECIFICATION

◆ 引线端子型/LEAD WIRE TYPE

Q' ty (pcs)

产品尺寸 SIZE		长引线品 LONGLEAD	引线加工品 LEADFORMING	编带品 TAPING
Φ4	4×5	2000	2000	2000
	4×7	1000	1000	2000
Φ5	5×7	1000	1000	2000
	5×11	1000	1000	2000
Φ6.3	6.3×7	1000	1000	2000
	6.3×11	1000	1000	2000
	6.3×15	500	500	1000
Φ8	8×7	500	500	1000
	8×9	500	500	1000
	8×12	500	500	1000
	8×14	500	500	1000
	8×16	500	500	1000
	8×20	200	200	1000
	8×25	200	200	500
Φ10	10×10.5	200	200	500
	10×12.5	200	200	500
	10×16(17)	200	200	500
	10×20	200	200	500
	10×25	100	100	500
	10×30	100	100	
	10×35	100	100	
	10×40	50	50	
Φ12.5 (13)	12.5×15	200	200	500
	12.5(13)×17	200	200	500
	12.5(13)×20	100	100	500
	12.5(13)×25	100	100	500
	12.5(13)×30	100	100	500
	12.5(13)×35	50	50	
	12.5(13)×40	50	50	
	12.5(13)×45	50	50	
	12.5(13)×50	50	50	
Φ16	16×16	100	100	250
	16×18	100	100	250
	16×20	100	100	250
	16×25	50	50	250
	16×30	40	40	
	16×35	40	40	
	16×40	40	40	
	16×45	25	25	
	16×50	25	25	

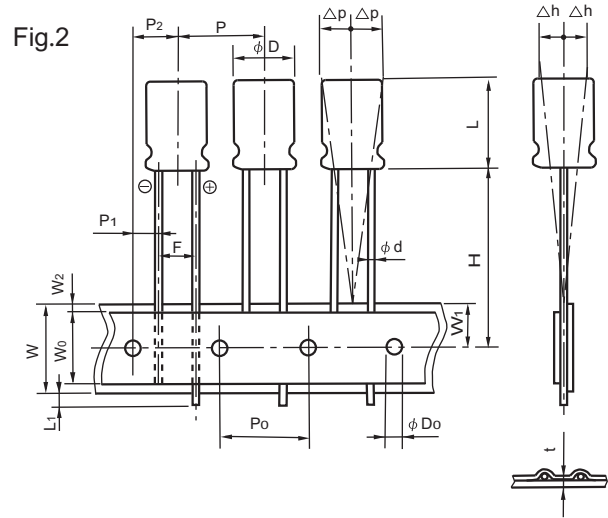
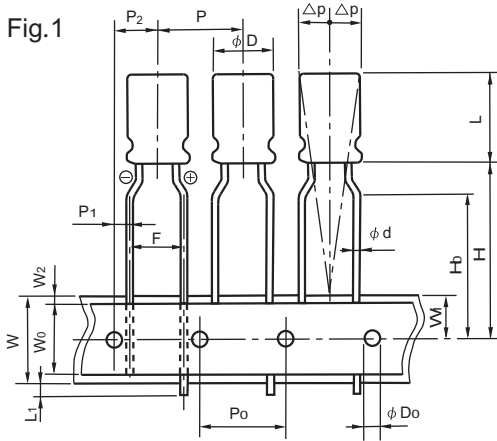
产品尺寸 SIZE		长引线品 LONGLEAD	引线加工品 LEADFORMING	编带品 TAPING
Φ18	18×18	40	40	
	18×20	40	40	
	18×25	40	40	
	18×31.5	40	40	
	18×35.5	40	40	
	18×40	40	40	
	18×45	25	25	
	18×50	25	25	
Φ20	20×20	25	25	
	20×25	25	25	
	20×30	25	25	
	20×35	25	25	
	20×40	25	25	
	20×45	25	25	
	20×50	25	25	
	Φ22	22×25	25	25
22×30		25	25	
22×35		25	25	
22×40		25	25	
22×45		25	25	
22×50		25	25	

包装单位存在与上述相异的情况。

There are some differences between actual package quantity and above list.

◆ 编带规格/TAPING SPECIFICATIONS

◆ 纵向引线形 (04形) 编带形状尺寸图/DIMENSIONS

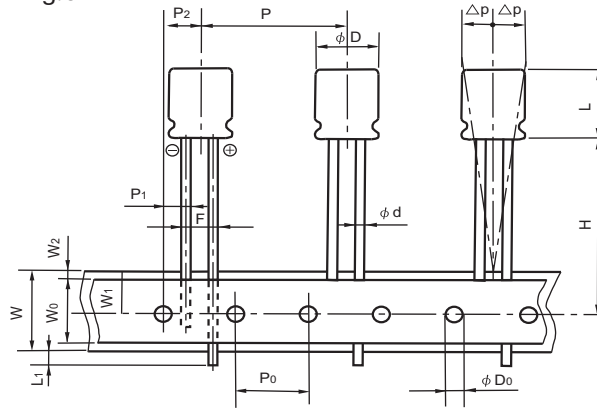


◆ 规格表/SPECIFICATION TABLE

(mm)

项 目 Items	记号 Code	5mm Height		7mm or 7.5mm Height				允许差 Tolerance
		φ 4 ~ φ 8		φ 4 ~ φ 6.3	φ 4 ~ φ 6.3	φ 8		
引线加工记号 Taping code		T5	TZ	T5	TZ	TA	T7	
形状尺寸图 Applicable Fig. No.		Fig.2	Fig.1	Fig.2	Fig.1	Fig.1	Fig.2	
引线直径 Dia. of lead	φ d	0.45		0.45				±0.05
主体高度 Height of body	L	6.5		8.5				MAX
主体间距 Distance from center to center of next body	P	12.7		12.7				± 1.0
穿孔间距 Distance from center to center of next driving hole	P ₀	12.7		12.7				± 0.2
穿孔与引线间距 Distance between center of driving hole and lead	P ₁	5.1	3.85	5.1	3.85	4.6	± 0.5	
穿孔与主体间距 Distance between center of driving hole and body	P ₂	6.35		6.35				± 1.0
引线间距 Pitch of lead	F	2.5	5.0	2.5	5.0	3.5	+0.8 -0.2	
衬纸宽度 Width of mounting tape	W	18.0		18.0				± 0.3
胶带宽度 Width of adhesive tape	W ₀	5.0		5.0				MIN
穿孔与衬纸间距 Distance between center of driving hole and mounting tape edge	W ₁	9.0		9.0				± 0.5
胶带与衬纸间距 Max. allowable distance between mounting and adhesive tape edges	W ₂	1.5		1.5				MAX
主体下方位置 Distance between center of driving hole and bottom of body	H	17.5		17.5		20.0		± 0.75
引线弯曲高度 Distance between center of driving hole and clinch part of lead	H ₀	—	16.0	—	16.0		—	± 0.5
引线头 End of lead	L ₁	0.5		0.5				MAX
穿孔直径 Dia. of driving hole	φ D ₀	4.0		4.0				± 0.2
主体倾斜度 Off alignment of body top	△h	1.0		1.0				MAX
主体倾斜度 Off alignment of body top	△p	1.0		1.0				MAX
编带总厚度 Sum of thickness for mounting and adhesive tape without lead dia	t	0.6		0.6				± 0.3
包装数量 (个) Quantity (pcs)		2000 (φ 8:1000)						

Fig.3



◆规格表 / SPECIFICATION TABLE

(mm)

项 目 Items	记号 Code	9mm or more Height						※ 允许差 Tolerance	
		φ 5, φ 6.3		φ 8	φ 10	φ 12.5	φ 16		φ 18
引线加工记号 Taping code		T1	TA	TA	T7	T8	G4	GC	
形状尺寸图 Applicable Fig. No.		Fig.2	Fig.1	Fig.1	Fig.2	Fig.2	Fig.2	Fig.3	
引线直径 Dia. of lead	φ d	0.5		0.6			0.8		± 0.05
主体高度 Height of body	L	13.0		22.0		30.0	42.0		MAX
主体间距 Distance from center to center of next body	P	12.7				15.0	30.0		± 1.0
穿孔间距 Distance from center to center of next driving hole	P ₀	12.7				15.0	15.0 ± 0.3		± 0.2
穿孔与引线间距 Distance between center of driving hole and lead	P ₁	5.1	3.85	4.6	3.85	5.0	3.75		± 0.5
穿孔与主体间距 Distance between center of driving hole and body	P ₂	6.35				7.5			± 1.0
引线间距 Pitch of lead	F	2.5	5.0		3.5	5.0 ± 0.8		7.5 ± 0.8	+0.8 -0.2
衬纸宽度 Width of mounting tape	W	18.0							± 0.3
胶带宽度 Width of adhesive tape	W ₀	5.0							MIN
穿孔与衬纸间距 Distance between center of driving hole and mounting tape edge	W ₁	9.0							± 0.5
胶带与衬纸间距 Max. allowable distance between mounting and adhesive tape edges	W ₂	1.5							MAX
主体下方位置 Distance between center of driving hole and bottom of body	H	18.5		20.0		18.5 ^{+0.75} _{-0.5}			± 0.75
引线弯曲高度 Distance between center of driving hole and clinch part of lead	H ₀	—	16.0		—	—			± 0.5
引线头 End of lead	L ₁	0.5							MAX
穿孔直径 Dia. of driving hole	φ D ₀	4.0							± 0.2
主体倾斜度 Off alignment of body top	△h	1.0							MAX
主体倾斜度 Off alignment of body top	△p	1.0							MAX
编带总厚度 Sum of thickness for mounting and adhesive tape without lead dia	t	0.6							± 0.3
包装数量 (个) Quantity (pcs)		2000		1000		500		250	

※容许差有特别规定时，特别规定优先。

※For the case that tolerance is specified individually, the value shall have the priority.

◆引线加工规格 / LEAD CUTTING FORMING SPECIFICATIONS

为了使产品在印刷电路板上安装方便，我公司对产品引线有以下加工类型：引线成型，引线切脚，基板自立型特殊加工（爪式引线成型）。Rubycon provides lead-formed and lead-cut products to facilitate mounting on printed circuit boards, as well as products with leads specially processed (kink formed) for self supporting insertions to printed circuit boards.

• 引线成型
Lead forming
($\phi 5 \sim \phi 8$)
Lead forming code : FA

ϕD	5	6.3	8
ϕd	0.5		0.6
F	5.0		

• 引线切脚
Lead cutting
($\phi 5 \sim \phi 18$)
Lead cutting code : CA
CC
CE

ϕD	5	6.3	8	10	12.5	14.5	16	18
H	5.0 (CA)			4.0 (CC)				
	3.5 (CE)							
ϕd	0.5		0.6			0.8		
F	2.0	2.5	3.5	5.0		7.5		

• 爪式引线成型
Kinked lead forming
($\phi 5 \sim \phi 8$)
Kinked lead forming code : KC

• 爪式引线切脚
Kinked lead cutting
($\phi 10 \sim \phi 18$)
Kinked lead cutting code : KC

ϕD	5	6.3	8	10	12.5	14.5	16	18
H1	4.5							
H2	2.8							
H3	2.5							
F	5.0			7.5				
P	1.0							
E	1.2		1.3					
ϕd	0.5		0.6			0.8		

• 横置对应品 ($\phi 10 \sim \phi 18$) / Low profile with horizontal mounting

A型
Type A

B型
Type B

ϕD	10, 12.5				14.5, 16, 18			
Code	RI	RK	RX	SG	RI	RK	RX	SG
ϕd	0.6				0.8			
F	5.0				7.5			
H	4.0		3.5		4.0		3.5	
Type	A	B	A	B	A	B	A	B